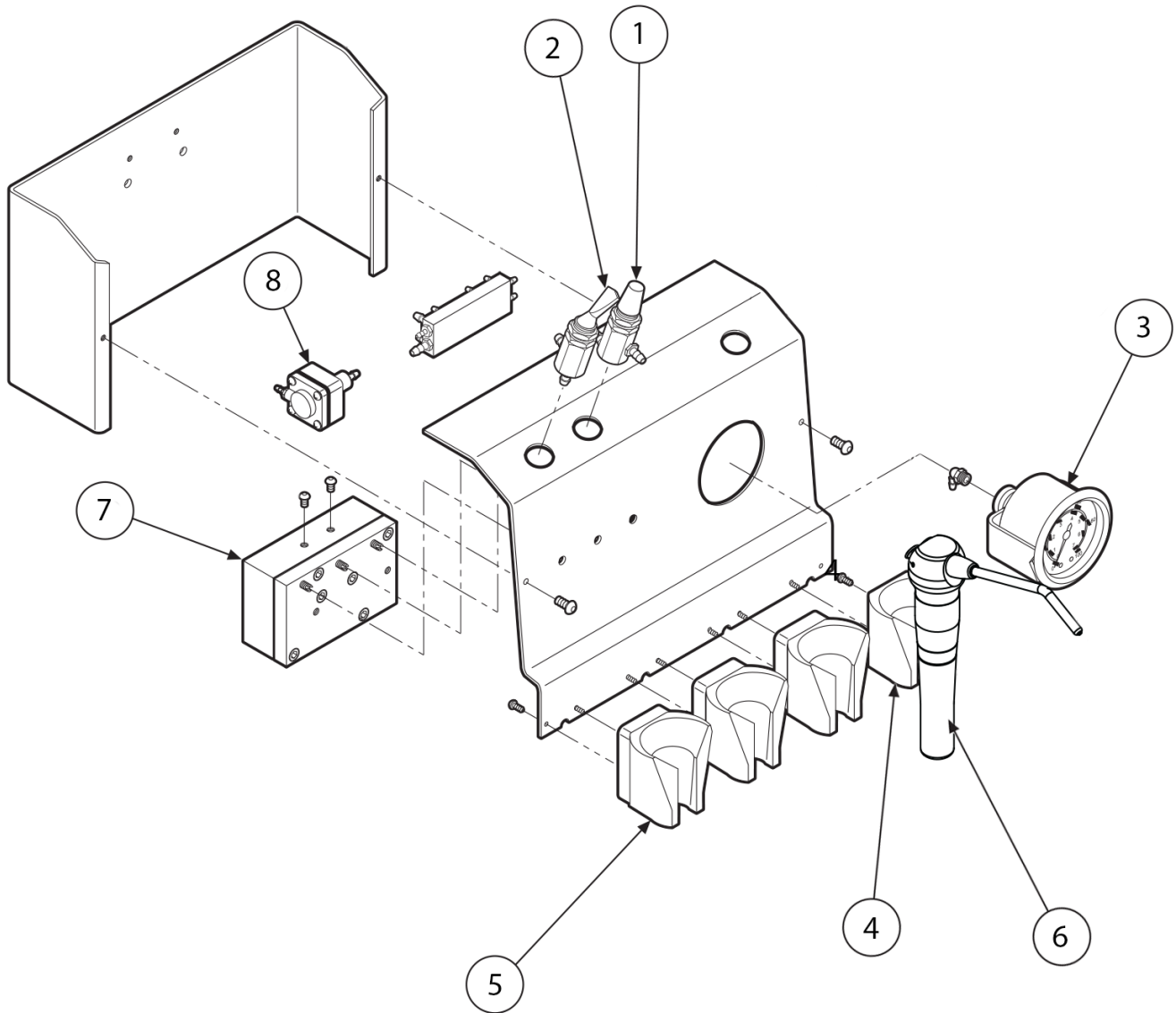


# DTP00505 HANDPIECE CONTROL



ITEM	PART DESCRIPTION	DENTALAIRE PART NUMBER	ITEM	PART DESCRIPTION	DENTALAIRE PART NUMBER
1	Needle Flow Valve with Knob	A121-009	5	Handpiece Holder Assembly	A122-049
2	On/Off Toggle Valve	A120-000	6	Three Way Syringe	A113-400
3	Round Gauge Panel Mt.	A026-001	7	Three H/P Adjust. Block	A125-030
4	Standard H/P Holder	A141-006	8	Water Relay Drill	A23-000