



DC X-ray Generator

VETERINARY DENTAL IMAGING SOLUTIONS

DC X-ray Generator

Experience the power of dental imaging.

Streamline your dental practice with the [Dentalaire DC X-ray Generator](#). Offering both mobile and wall-mount options, Dentalaire provides solutions tailored to the specific layout of your clinic.

With an ergonomic and modern design, this X-ray generator was built specifically for veterinary dentistry. Easily take high-quality dental X-rays and improve the care of each patient with the DC X-ray generator.

HIGH-QUALITY IMAGES

- 0.4mm focal spot
- High-frequency DC technology for shorter exposure times and reduced dose
- Adjustable kVp for maximum contrast adjustment
- Streamlined image acquisition process

FEATURES

- LCD touchscreen display with adjustable brightness and contrast
- Choose your own kV and time settings or use pre-programmed techniques
- Graphical user interface for simple system settings
- Veterinary-specific selections including exotic and extremity
- Precision braking system
- Long reach arm with frictionless joints
- Solid aluminum cone head
- Exposure can be made from touchscreen or wired exposure button
- Optional laptop tray (sold separately)

SEAMLESS INTEGRATION

- Mobile
- Wall Mount
- Optional onsite installation




COMPLETE YOUR IMAGING SYSTEM.

Designed to seamlessly work together in your clinic, the [DC Complete Imaging System](#) can improve your workflow and optimize performance.

The Complete Imaging System Includes:

- DC X-ray Generator
- DTX Software
- Size 2 Sensor
- Laptop
- Mouth Props & Sensor Boot



 Unlimited Customer and Technical Support



YOUR MOBILE WORKSPACE, YOUR WAY.

The **Mobile DC X-ray Generator** seamlessly integrates into your workspace, optimizing your workflow regardless of space constraints. Its design makes it suitable for both compact and spacious work environments.

It has a low center of gravity for an ultra-small footprint offering ultimate stability. The electronics are integrated into the base for superior mobility. The touchscreen can be mounted externally anywhere in the clinic.



Optional laptop tray integration



Total inside reach of 38"



Choose Arm Length for Wall Mount

With clinics ranging in room sizes and design, the wall mount x-ray generator comes in 4 different arm-length options to accommodate various practices to improve workflow and enhance productivity.

- 30 cm
- 60 cm
- 80 cm
- 100 cm



Color LCD Display

Easily navigate the color LCD display, for a seamless user-experience. The bright colors allow your clinic to quickly adjust settings, as needed when taking high-quality dental X-rays.

- Clear display
- Easily view and adjust settings



Optional Laptop Tray Integration

The laptop tray integration is a feature available for both the Mobile and Wall-Mount DC X-ray Generator.

- Ergonomic
- Helps organize workspace

TAKE A CLOSER LOOK

Designed to deliver exceptional user experiences, patient comfort, and improved clinic workflows, the **Wall Mount** and **Mobile X-ray DC Generator** are available to seamlessly integrate into your workspace.

Take a closer look to see how these X-ray generators can integrate into your clinic.

INSTALLATION

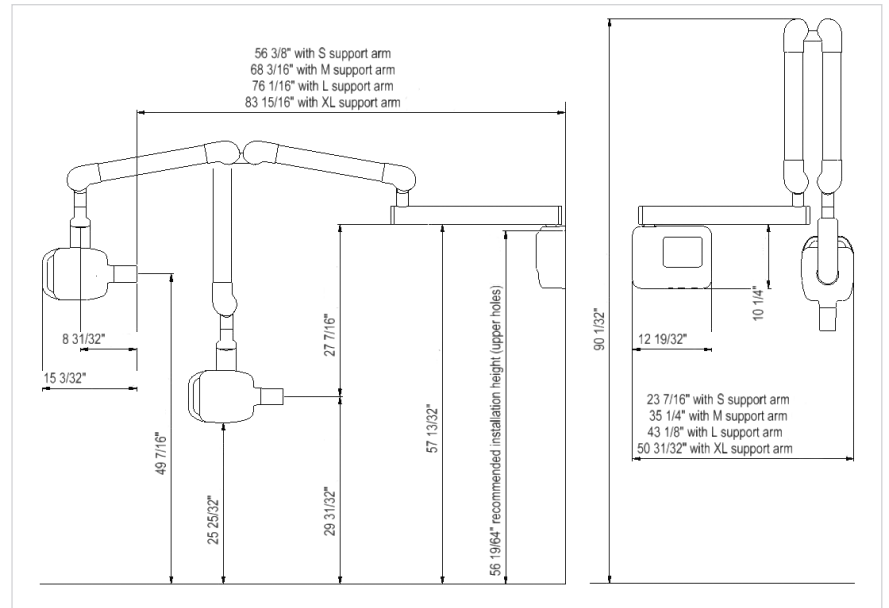
Professional installation is highly recommended for the DC X-ray Generator.

Contact us to learn more.

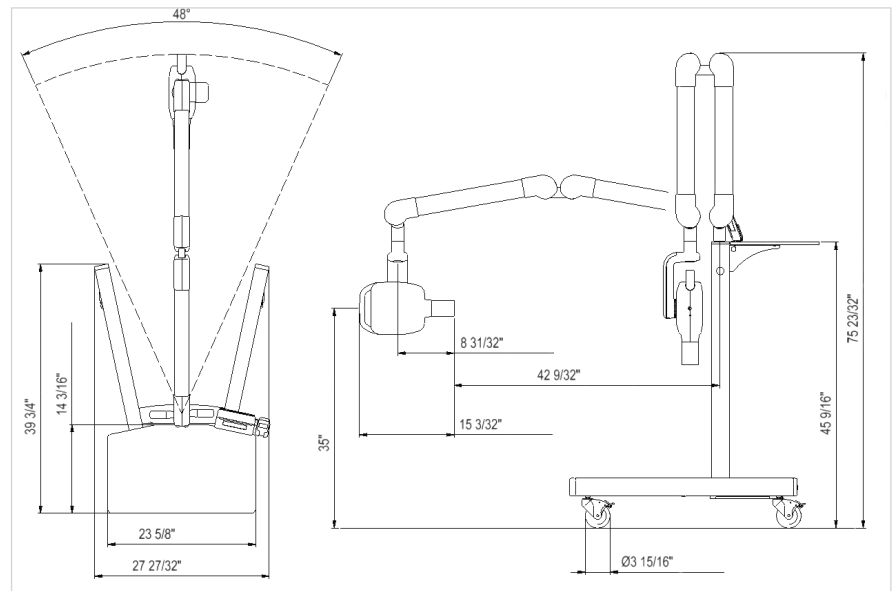
 (800) 866-6881

 info@dentalaire.com

WALL MOUNT



MOBILE



TECHNICAL SPECIFICATIONS

X-ray Generator	
Power Supply	110 - 240 VAC +/- 10% 50 - 60 Hz
X-ray Tube Head	High-frequency (DC) 60, 65, or 70 kV, 6mA
Exposure Time	0.01 to 2 seconds
Cone Length	20 cm (8 inches)
Duty Cycle	1:30
Minimum Inherent Filtration	3.02 mm Al eq. @70 kV
Focal Spot	0.4 mm (IEC 336)

Warranty	
Unit	2 years, limited

Shipping Weight	
Wall Mount	73 lbs
Mobile	145 lbs



www.dentaire.com | 800.866.6881 | 17742 Mitchell North, STE B, Irvine, CA, 92614 | info@dentaire.com